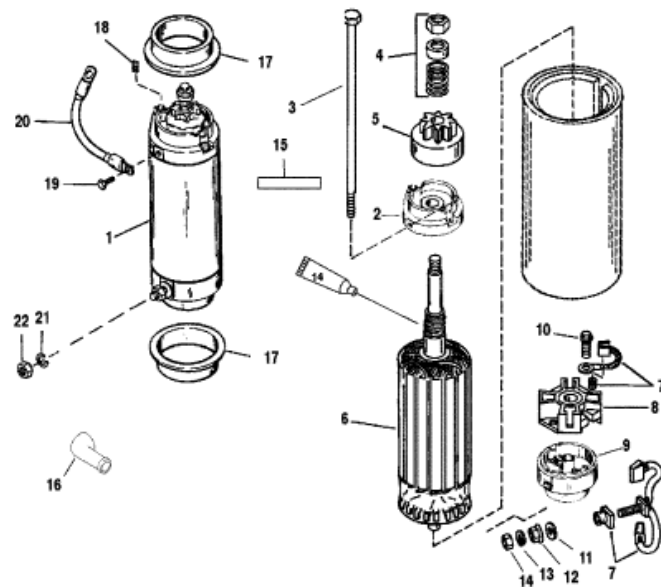


Parts List



14 2 Cycle Outboard Oil (92-13249A24)

| Ref | Class | Part     | Description               | Qty | Comment | Footnote |
|-----|-------|----------|---------------------------|-----|---------|----------|
| 1   | 50    | 856996T  | STARTER MOTOR             | 1   |         | 20       |
| 2   |       | 75660    | DRIVE CAP                 | 1   |         |          |
| 3   | 10    | 74968 1  | THRU BOLT                 | 2   |         |          |
| 4   |       | 823640 1 | DRIVE KIT                 | 1   |         |          |
| 5   |       | 86177 1  | PINION                    | 1   |         |          |
| 6   |       | 823638 1 | ARMATURE                  | 1   |         |          |
| 7   |       | 75384    | BRUSH/SPRING KIT          | 1   |         |          |
| 8   |       | 61787    | BRUSH HOLDER              | 1   |         |          |
| 9   |       | 15386    | COMMUTATOR CAP            | 1   |         |          |
| 10  |       | F15158   | SCREW                     | 2   |         |          |
| 11  | 13    | 26992    | LOCKWASHER                | 1   |         |          |
| 12  | 11    | 64015    | NUT (1/4-20)              | 1   |         |          |
| 13  | 13    | 26992    | LOCKWASHER                | 1   |         |          |
| 14  | 11    | 94330    | NUT (1/4-20)              | 1   |         |          |
| 15  | 37    | 827282 2 | DECAL-WARNING-HIGH VOLTAG | 1   |         |          |
| 16  | 85    | 850067 3 | BOOT                      | 1   |         |          |
| 17  |       | 56703    | COLLAR                    | 2   |         |          |
| 18  |       | 68042    | RUBBER STOP               | 2   |         |          |
| 19  | 10    | 69035    | SCREW (1/4-20 X 5/8)      | 1   |         |          |
| 20  | 84    | 93388A 1 | WIRE ASSEMBLY (BLACK)     | 1   |         |          |
| 21  | 13    | 26992    | LOCKWASHER                | 1   |         |          |
| 22  | 11    | 20890    | NUT                       | 1   |         |          |